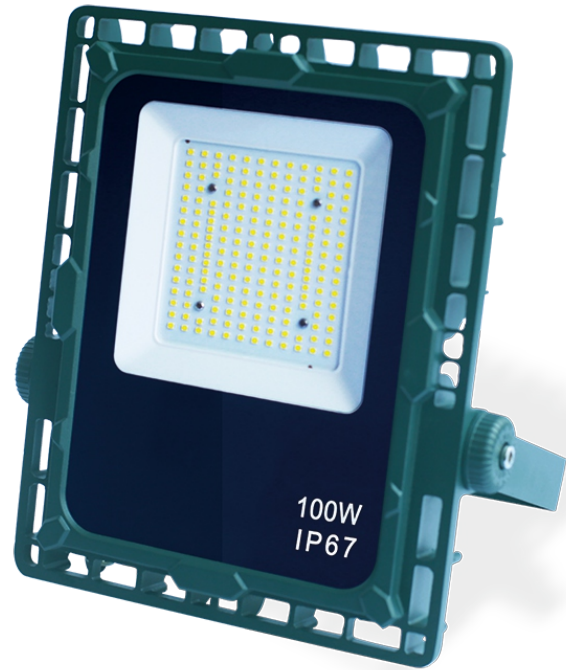


Features

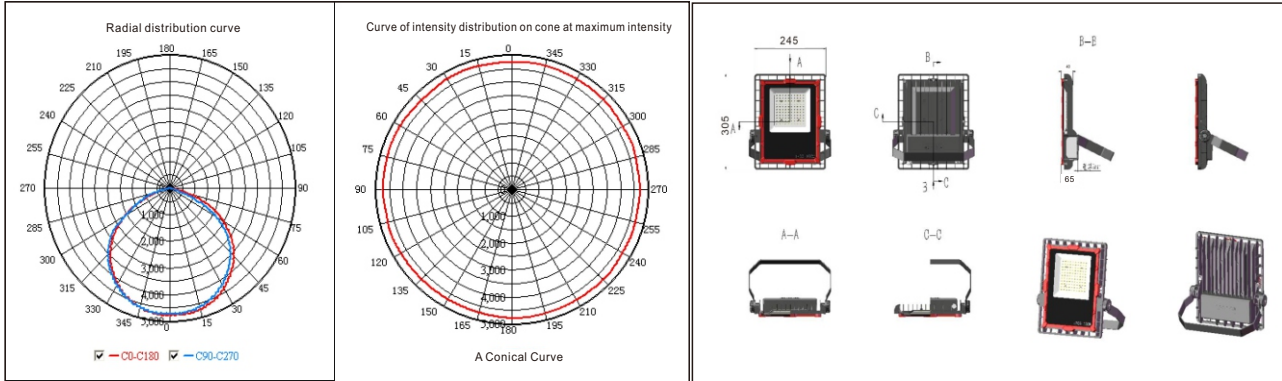
- Aluminum alloy die-casting shell, electrostatic spraying anti-corrosion reaches Wf2;
- Stainless steel exposed fasteners with high corrosion resistance;
- High-quality toughened high-throw glass transparent cover, reducing dust accumulation, easy to clean and maintain;
- Adopt a transparent hollow heat dissipation design, and a patented design with a heat guide line added to the radiator;
- Using armor-type light source cavity cover design, which facilitates the disassembly of the lamp and facilitates maintenance;
- Customized constant current power supply, wide voltage input (AC 95-265V), no flicker, lightning protection (surge) level above 10KV, etc.;
- Power factor ≥ 0.95 ;
- High luminous efficiency, overall lighting efficiency $\geq 150\text{lm/W}$;
- The installation angle of the lamp can be adjusted according to actual needs.



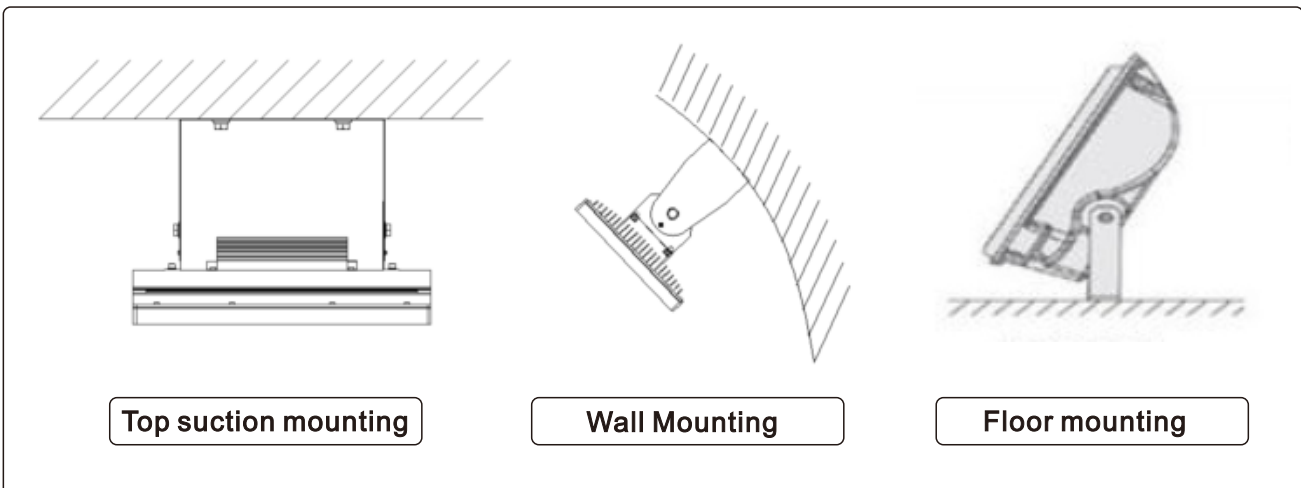
Specifications

ITEM	Symbol	Min.	Typical	Max.	Condition	Remark
Working Voltage(V)	Vin	100(AC)	220(AC)	305(AC)		
Working frequency(Hz)	f	47	50-60	63		
Power Factor	PF	0.90	0.96	0.98	AC220V,25° C/DC24V/25C	
Lumen efficiency(lm/w)		120	-	150		
Starting time(ms)	Φ			5000	AC220V,25° C AC220V/25° C	
Color temperature(K)	CCT	270		6000		Option 1
Working temperature(°C)	Temp	-20		45	AC22DC24V/25C DC24V,25° C	
Moisture(%)	RH	10		90		
Lifetime(hrs)	MTTF		50000		AC220V,25° C DC24V/25° C	
Weight(kg)	Weight		3.25KG			Nopack ing
Nozzle(mm)		L305mm	W245mm	H65mm		
IP	IP Class		IP 67			
Shell Material			ADC12			
Power factor			≥ 0.95			

Curve Distribution& Structure



Installation&Application



1. Must have earth line in the right application!
2. After Earthing, must use insulation tape, insure the separating and water-proof.
3. Fastening the screw, in case it gets loose!
4. input voltage not exceeding AC100~277V/DC24V!

After sale service

Response in 2 hours if you have any problem when you receive the goods.

Below condition is free of repairing.

- Damage due to faulty application and operation.
- Damage due to transportation.
- Damage due to self repairing.
- Damage due to natural disaster.

Features

Aluminum alloy die-casting shell, electrostatic spraying anti-corrosion reaches Wf2;

Stainless steel exposed fasteners with high corrosion resistance;

High-quality toughened high-throw glass transparent cover, reducing dust accumulation, easy to clean and maintain;

Adopt a transparent hollow heat dissipation design, and a patented design with a heat guide line added to the radiator;

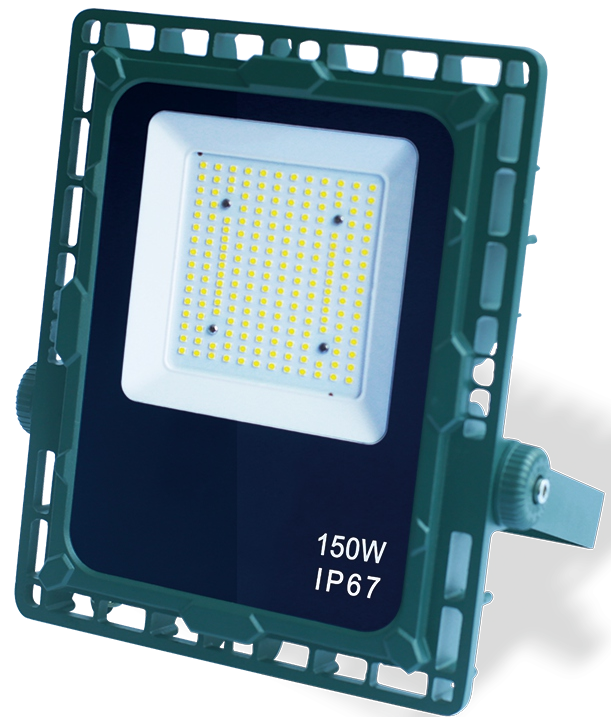
Using armor-type light source cavity cover design, which facilitates the disassembly of the lamp and facilitates maintenance;

Customized constant current power supply, wide voltage input (AC 95-265V), no flicker, lightning protection (surge) level above 10KV, etc.;

Power factor ≥ 0.95 ;

High luminous efficiency, overall lighting efficiency $\geq 150\text{lm/W}$;

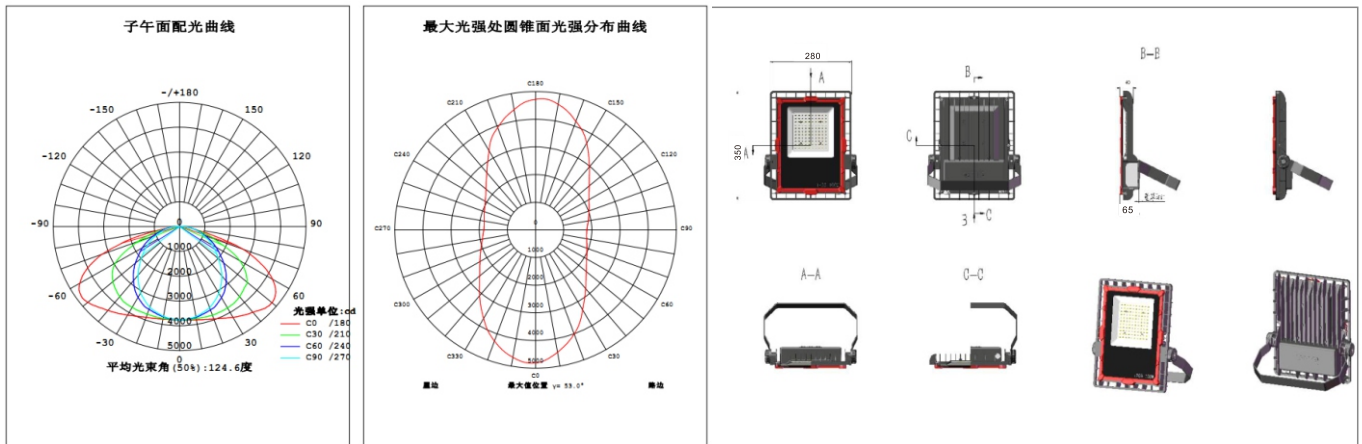
The installation angle of the lamp can be adjusted according to actual needs.



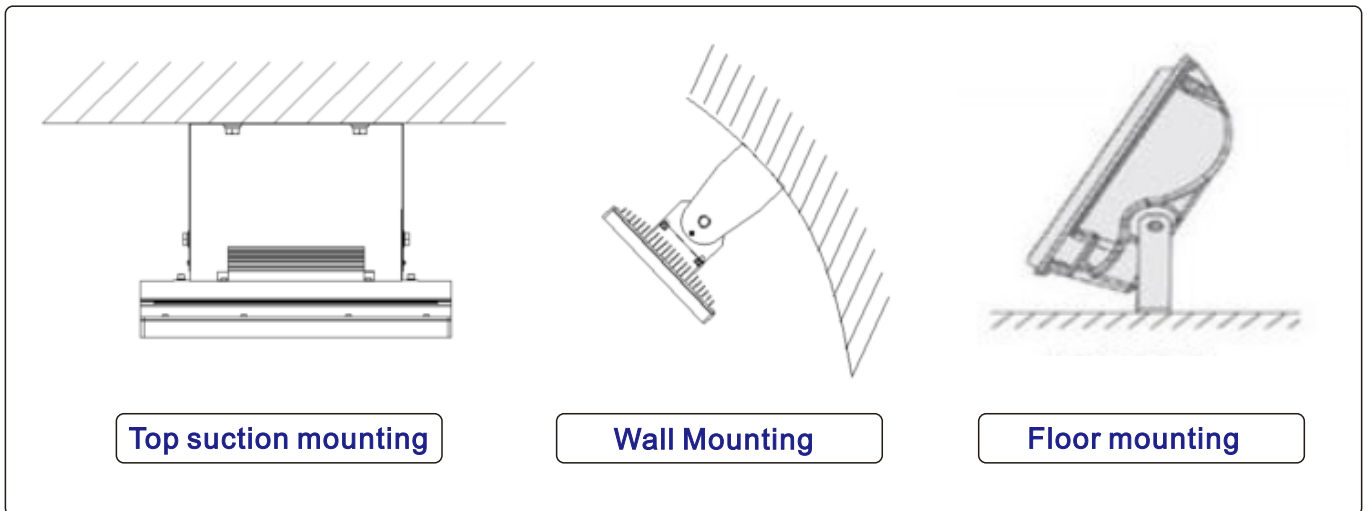
Parameters

ITEM	Symbol	Min.	Typical	Max.	Condition	Remark
Working Voltage(V)	Vin	100(AC)	220(AC)	305(AC)		
Working frequency(Hz)	f	47	50-60	63		
Power Factor	PF	0.90	0.96	0.98	AC220V,25° C/DC24V/25C	
Lumen efficiency(lm/w)	Φ	120	-	150		
Starting time(ms)				5000	AC220V,25° C AC220V/25° C	
Color temperature(K)	CCT	2700		6000		Option1
Working temperature(°C)	Temp	-20		45	AC22DC24V/25C DC24V,25° C	
Moisture(%)	RH	10		90		
Lifetime(hrs)	MTTF		50000		AC220V,25° C DC24V/25° C	
Weight(kg)	Weight		4.35KG			Nopack ing
Nozzle(mm)		L355mm	W280mm	H65mm		
IP	IP Class		IP 67			
Shell Material			ADC12			
Power factor			≥ 0.95			

Curve Distribution & Structure



Installation & Application



1. Must have earth line in the right application!
2. After Earthing, must use insulation tape, insure the separating and water-proof.
3. Fastening the screw, take care any loose condition!
4. Input voltage not exceeding AC100~277V / DC24V!

After sale service

Response in 2 hours if you have any problem when you receive the goods.

Below condition is free of repairing.

- Damage due to faulty application and operation
- Damage due to transportation
- Damage due to self repairing.
- Damage due to natural disaster

Features

Aluminum alloy die-casting shell, electrostatic spraying anti-corrosion reaches Wf2;

Stainless steel exposed fasteners with high corrosion resistance;

High-quality toughened high-throw glass transparent cover, reducing dust accumulation, easy to clean and maintain;

Adopt a transparent hollow heat dissipation design, and a patented design with a heat guide line added to the radiator;

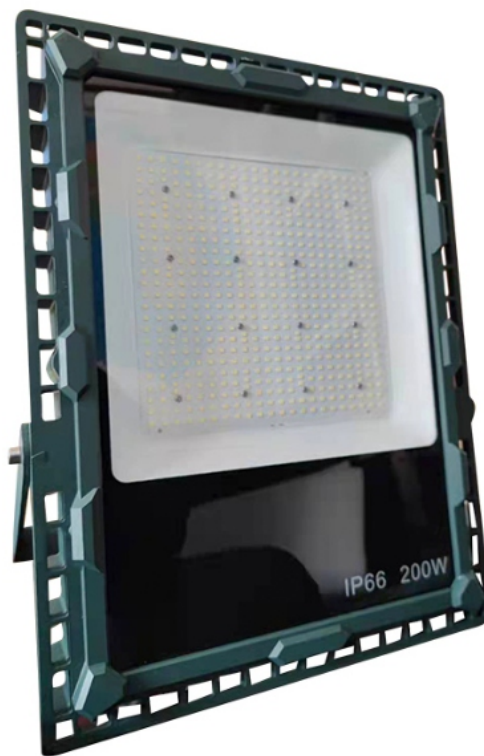
Using armor-type light source cavity cover design, which facilitates the disassembly of the lamp and facilitates maintenance;

Customized constant current power supply, wide voltage input (AC 95-265V), no flicker, lightning protection (surge) level above 10KV, etc.;

Power factor ≥ 0.95 ;

High luminous efficiency, overall lighting efficiency $\geq 150\text{lm/W}$;

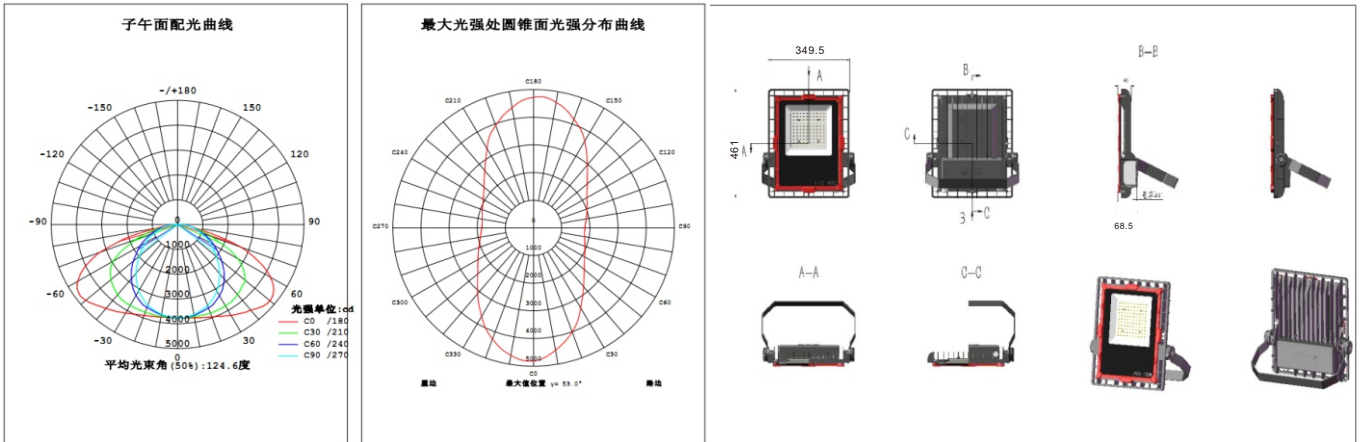
The installation angle of the lamp can be adjusted according to actual needs.



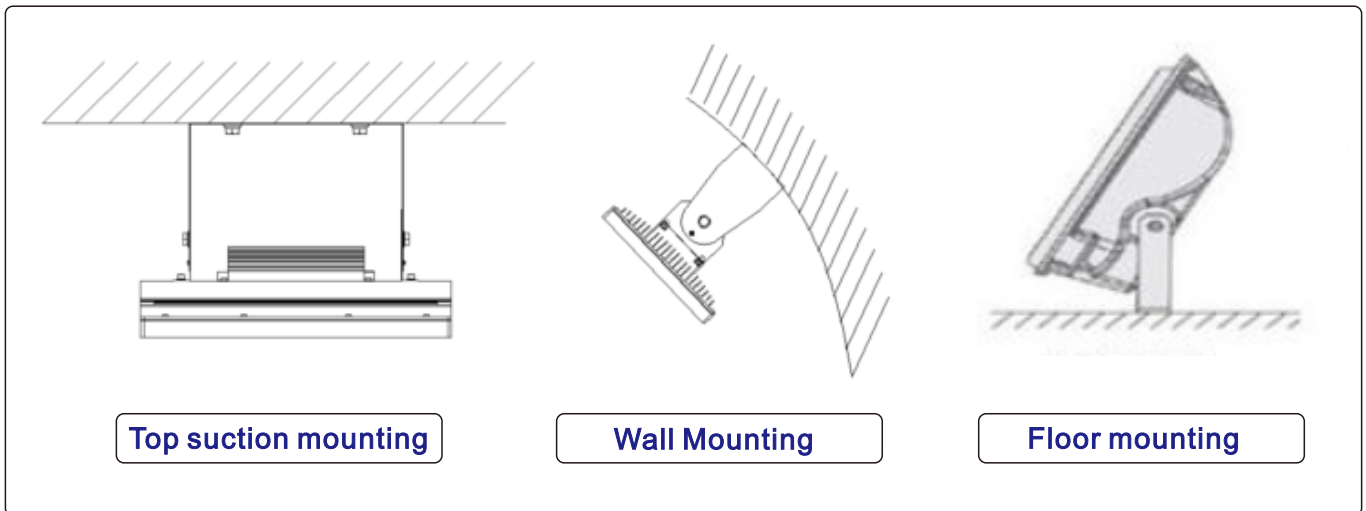
Parameters

ITEM	Symbol	Min.	Typical	Max.	Condition	Remark
Working Voltage(V)	Vin	100(AC)	220(AC)	305(AC)		
Working frequency(Hz)	f	47	50-60	63		
Power Factor	PF	0.90	0.96	0.98	AC220V,25° C/DC24V/25C	
Lumen efficiency(lm/w)	Φ	120	-	150		
Starting time(ms)				5000	AC220V,25° C AC220V/25° C	
Color temperature(K)	CCT	2700		6000		Option1
Working temperature(°C)	Temp	-20		45	AC22DC24V/25C DC24V,25° C	
Moisture(%)	RH	10		90		
Lifetime(hrs)	MTTF		50000		AC220V,25° C DC24V/25° C	
Weight(kg)	Weight		6.8KG			Nopack ing
Nozzle(mm)		L461mm	W349.5m	H68.5m		
IP	IP Class		IP 66			
Shell Material			ADC12			
Power factor			≥ 0.95			

Curve Distribution & Structure



Installation & Application



1. Must have earth line in the right application!
2. After Earthing, must use insulation tape, insure the separating and water-proof.
3. Fastening the screw, take care any loose condition!
4. Input voltage not exceeding AC100~277V / DC24V!

After sale service

Response in 2 hours if you have any problem when you receive the goods.

Below condition is free of repairing.

- Damage due to faulty application and operation
- Damage due to transportation
- Damage due to self repairing.
- Damage due to natural disaster